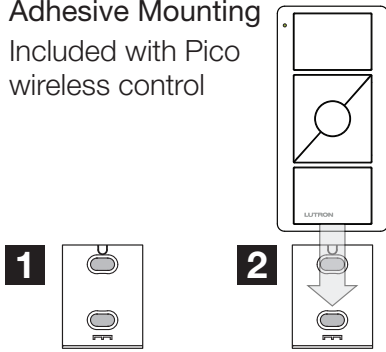


# Mounting Options

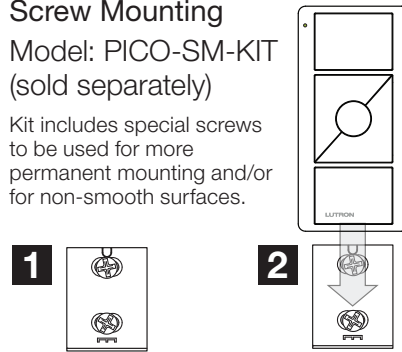
## Standalone Mounting

**Adhesive Mounting**  
Included with Pico wireless control



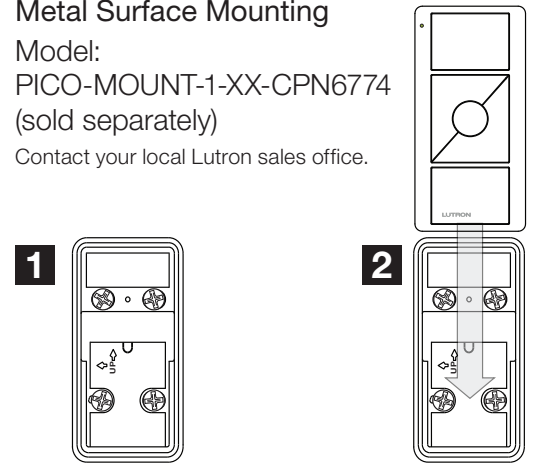
**Screw Mounting**  
Model: PICO-SM-KIT (sold separately)

Kit includes special screws to be used for more permanent mounting and/or for non-smooth surfaces.



**Metal Surface Mounting**  
Model: PICO-MOUNT-1-XX-CPN6774 (sold separately)

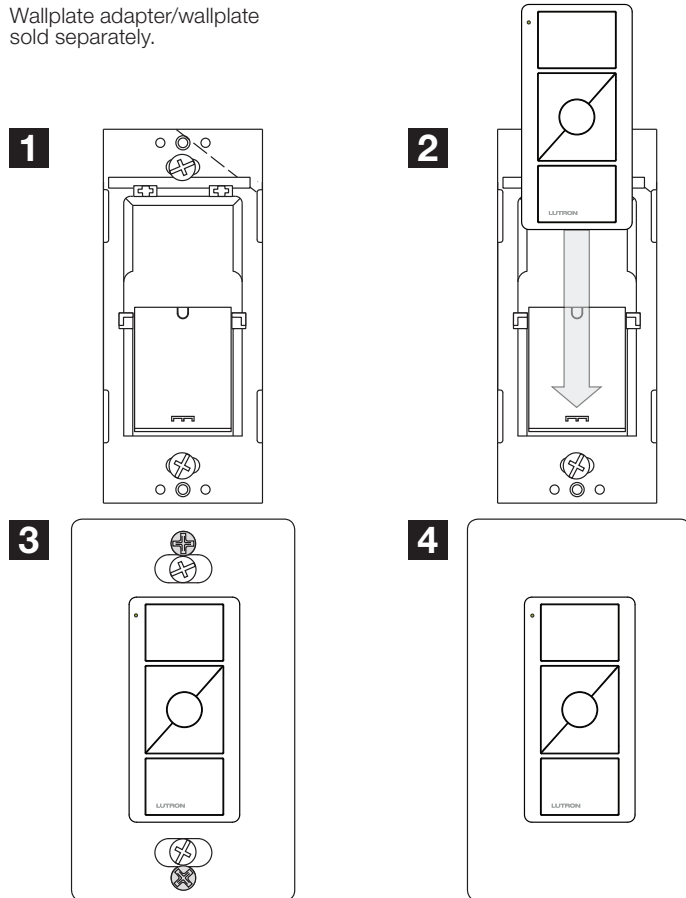
Contact your local Lutron sales office.



## Wallbox Mounting

**Wallbox Adapter**  
Model: PICO-WBX-ADAPT (sold separately)

Wallplate adapter/wallplate sold separately.

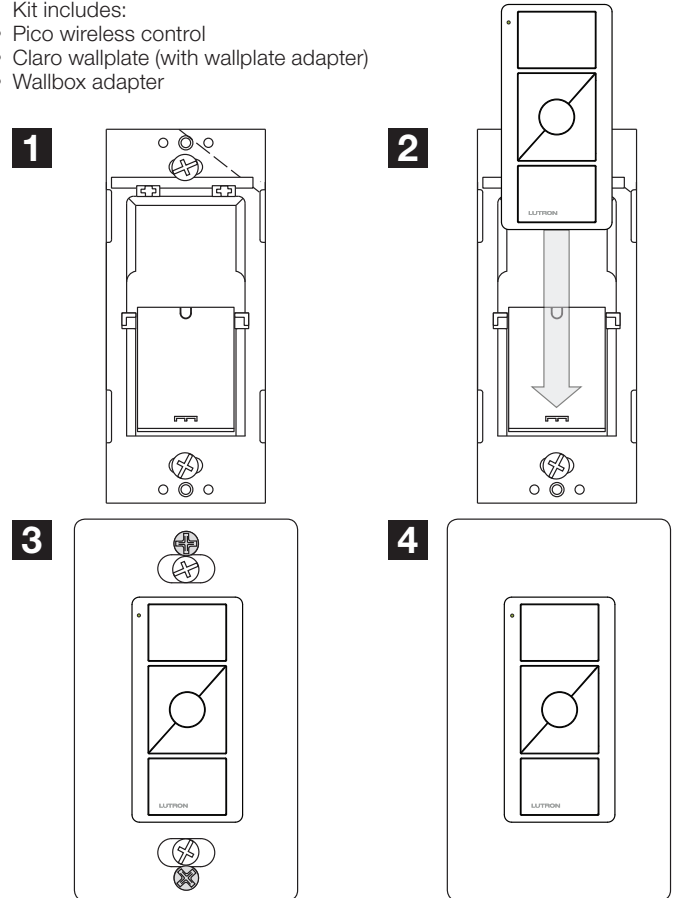


## Surface Mounting Kits

### Wall-Mounting Kit

Model: PJ2-WALL-WH-L01; PJ2-WALL-WH-L01C\* (sold separately)

- Kit includes:
- Pico wireless control
  - Claro wallplate (with wallplate adapter)
  - Wallbox adapter



\* Canadian packaged product.

Job Name:	Model Numbers:
Job Number:	